

MT-700



MERITRACTOR

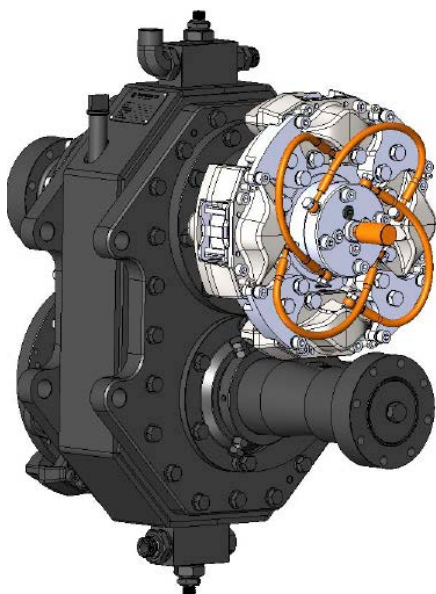
FOREST - CONSTRUCTION - AGRICULTURE

Power and performance for land clearing



MT-700

Equipped with mechanical power take-off, the MT-700 is the most efficient crawler tractor on the market. The MT-700 is able to operate under conditions where conventional tractors lose power and traction. Thanks to adequate engine power and a mechanical power take off, the MT-700 enable quicker, more efficient operations, at a lower cost per hectare.



← **Suokone-made PTO gearbox** is specially designed for transmitting high torques safely. The integrated POC clutch works as an overload/release clutch. The APTOR system switches PTO to neutral if the defined sliding % is exceeded.

Modular structure → enables the use of different track systems:

- steel tracks
- single rubber tracks
- double rubber tracks



SPECIFICATIONS

ENGINE

Model	VOLVO TAD 1643 VE 6-cylinders, volume 984CU.In (16.12)
Power tier 2	768hp (565 kW) / 3260 Nm (1500rpm)
Power tier 4F	700hp (515 kW) / 3150 Nm (1500rpm)

CONNECTION OF EQUIPMENT

3-point linkage	KAT III - IV
Lifting capacity	19980 lbs. (9000 kg)
PTO speed	1000 rpm
PTO capacity	816 hp (600 kW)

DRIVE TRANSMISSION

2-speed with stepless variation. 2 piston pumps.	
Tractive power	570 hp (420 kW)
Tractive force	40000 lbs (180kN)
Travel speed, area 1	0-5mph (0-8 km/h)
Travel speed, area 2	0-11mph (0-18 km/h)

SERVICEABILITY

Hydraulic oil tank	69 gal. (260 ltr.)
Fuel Tank	145 gal. (550 ltr)
Cooling capacity	16 gal. (60 ltr.)

ELECTRIC VOLTAGE

Voltage	24 V
Batteries	2 x 225 Ah

TRACKS

Modular structure	detachable
Single rubber tracks	width: 31,5 In. (800mm)
Twin rubber tracks	width: 2 x 31,5 In. (800mm)
Steel tracks	width: 31,5 In. (800mm)

DIMENSIONS

	Steel Tracks	Single Rubber Tracks	Double Rubber Tracks
Height	154 In. (3900mm)	147 In. (3730mm)	147 In. (3730mm)
Length	231 In. (5870mm)	231 In. (5870mm)	231 In. (5870mm)
Width	118 In (2995mm)	118 In (2995mm)	179 In. (4550mm)
Weight	41230 lbs. (18700kg)	37260 lbs (16900kg)	49600 lbs (22500kg)
Ground clearance	24 In. (600mm)	20 In. (500mm)	20 In. (500mm)
Ground pressure	4.3 Psi (300g/cm ²)	3.9 Psi (270g/cm ²)	2.7 Psi (185 g/cm ²)

We reserve the right to change specifications or modify the design without notice.



www.suokone.com
www.mericrusher.com

SUOKONE OY
88610 Vuokatti, Finland

Tel. +358 8 66 62 011
suokone@suokone.com